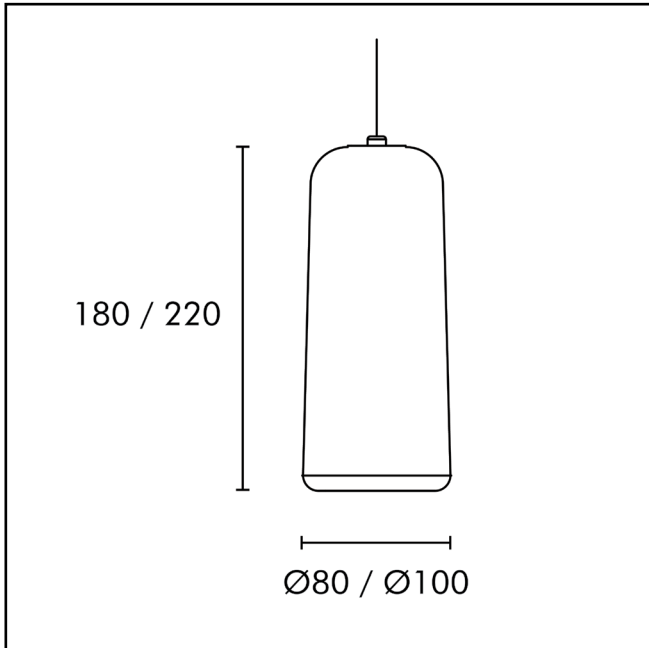


NEO - 1

Technical Specifications



Product Code	CK06
Housing Material	Cork
Environment	Indoor
Mounting	Pendant
Size	Ø80 / Ø100
Wattage	10W
Light Distribution	Direct
Body Finish	Cork Finish
Thermal Management	Passive Cooling
Input Voltage	220 - 240 AC 50Hz
Control	Switch
Connection	Plug-in Type Pre-wired
Appliance Class	Class 2
Ingress Protection	IP40
Photobiological Safety	RG 0 - No Risk
Ambient Temperature	0 to +50° C
LED	LED Bulb
CCT	3000K / 4000K / 6500K



- Specifications are subject to change without notice.
- Images can vary from the original product.
- Colors are based on RAL Standards.