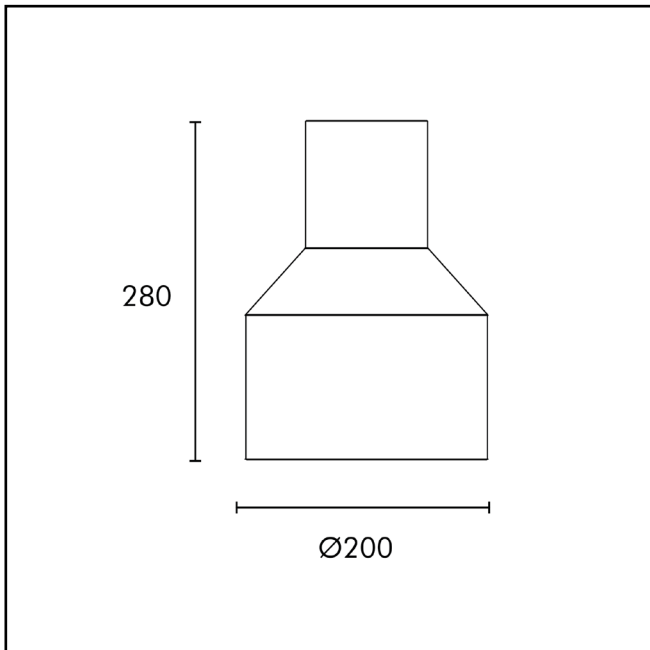


# ORBIT - 4

## Technical Specifications



Product Code	CC6D
Housing Material	Concrete
Environment	Indoor
Mounting	Suspended
Size	Ø200
Wattage	15W
Light Distribution	Direct
Body Finish	Concrete
Optics	PMMA Diffuser
Driver Mount	Inside Canopy Cup
Thermal Management	Passive Cooling
Input Voltage	180 - 280 AC 50Hz
Driver Control	Constant Current Driver
Control	Switch / DALI / Analog
Connection	Plug-in Type Pre-wired
Appliance Class	Class 2
Ingress Protection	IP40
Photobiological Safety	RG 0 - No Risk
Ambient Temperature	0 to +50° C
LED	Medium Power LED
Binning	3 Step MacAdam
Luminous Efficacy	95 Lm/W
CCT	2700K / 3000K / 4000K / 5700K / 6500K
CRI	≥80 (Standard) ≥90 (Optional) Tunable LED (Optional)
UGR	<19
LED Life	>50,000 hours

- Specifications are subject to change without notice.
- Images can vary from the original product.
- Colors are based on RAL Standards.