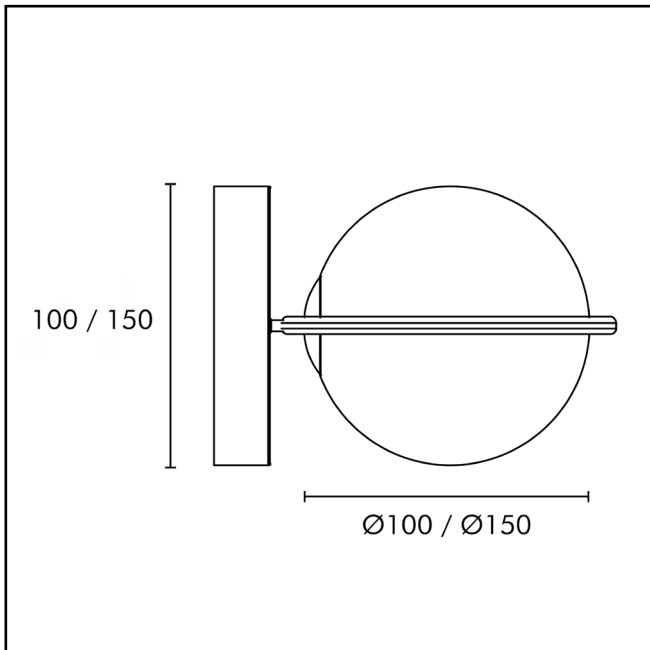
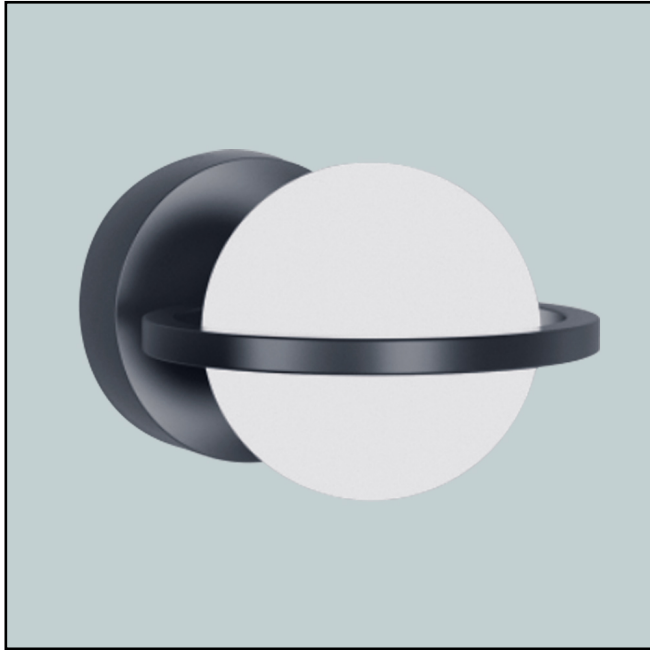


POP - 3

Technical Specifications



Product Code	GL6C
Housing Material	Metal Frame
Environment	Indoor
Mounting	Wall Mounted
Size	Ø100 / Ø150 [Globe]
Wattage	8W / 12W
Light Distribution	Direct & Indirect
Body Finish	Powder Coated
Optics	Glass Globe
Driver Mount	Integrated
Thermal Management	Passive Cooling
Input Voltage	180 - 280 AC 50Hz
Driver Control	Constant Current Driver
Control	Switch / DALI / Analog
Connection	Plug-in Type Pre-wired
Appliance Class	Class 2
Ingress Protection	IP40
Photobiological Safety	RG 0 - No Risk
Ambient Temperature	0 to +50° C
LED	Medium Power LED
Binning	3 Step MacAdam
Luminous Efficacy	95 Lm/W
CCT	2700K / 3000K / 4000K / 5700K / 6500K
CRI	≥80 (Standard) ≥90 (Optional) Tunable LED (Optional)
UGR	<19
LED Life	>50,000 hours

- Specifications are subject to change without notice.
- Images can vary from the original product.
- Colors are based on RAL Standards.