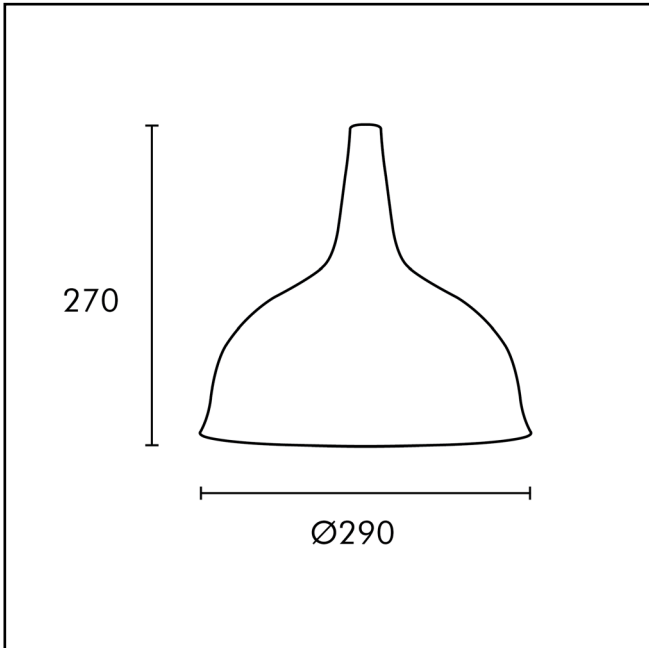


SERA - 2

Technical Specifications



Product Code	CL1B
Housing Material	Ceramic
Environment	Indoor
Mounting	Suspended
Size	Ø290
Wattage	10W
Light Distribution	Direct
Body Finish	Ceramic
Thermal Management	Passive Cooling
Input Voltage	220 - 240 AC 50Hz
Control	Switch
Connection	Plug-in Type Pre-wired
Appliance Class	Class 2
Ingress Protection	IP40
Photobiological Safety	RG 0 - No Risk
Ambient Temperature	0 to +50° C
Lamp	LED Bulb
CCT	3000K / 4000K / 6500K

- Specifications are subject to change without notice.
- Images can vary from the original product.
- Colors are based on RAL Standards.