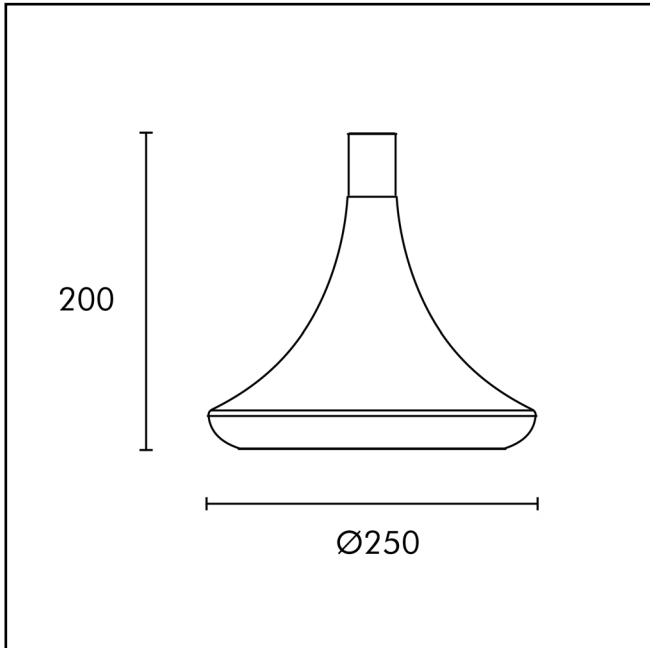


# ZANE - 1

## Technical Specifications



Product Code	CC7A
Housing Material	Concrete
Environment	Indoor
Mounting	Suspended
Size	Ø250
Wattage	10W
Light Distribution	Direct
Body Finish	Concrete
Thermal Management	Passive Cooling
Input Voltage	220 - 240 AC 50Hz
Control	Switch
Connection	Plug-in Type Pre-wired
Appliance Class	Class 2
Ingress Protection	IP40
Photobiological Safety	RG 0 - No Risk
Ambient Temperature	0 to +50° C
Lamp	LED Bulb
CCT	3000K / 4000K / 6500K